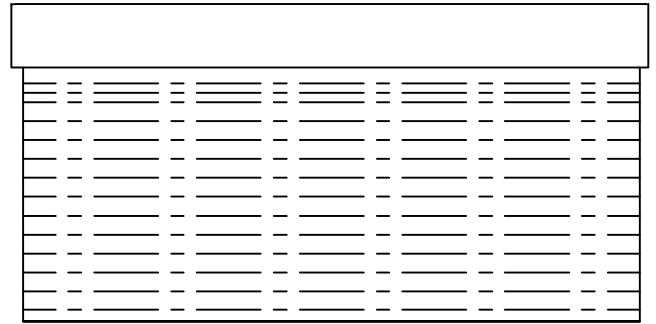


Features

- These Niño Woven Wood motorized shades come equipped with a USB-C rechargeable lithium battery.
- Allows blackout or partial light filtering to control natural light and temperature, helping reduce energy use.
- Available in both Motorized and Cordless Manual options.
- Available in natural materials like bamboo, rattan, and solid wood, each offering unique textures and a rustic appearance. Material options support a range of light control and privacy needs.
- Adjustable end limits with the included remote control.
- Lithium battery powered shades up to 3 years between charges*, feature soft start and stop technology for smooth and quiet operation.

*Battery Life dependent on Motor type and battery size



Woven Wood Box Specifications

For illustration purposes only; not a system specification drawing

Height / Width

Motorized:

Min. height: 16"	Min. height: 22"
Max. width: 90"	Max. height: 110"

Cordless Manual Woven:

Min. height: 16"	Min. height: 16"
Max. width: 78"	Max. height: 82"

Methods of Control

Integration and control

- Zigbee
- PoE
- RF Remote Control
- SI Ecosystem
- Native Control4
- SmartThings - App Control
- Bond Bridge Pro

Technical Specifications

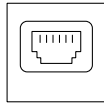
Compatible power sources



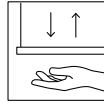
Rechargeable



12v DC



PoE



Cordless
Manual

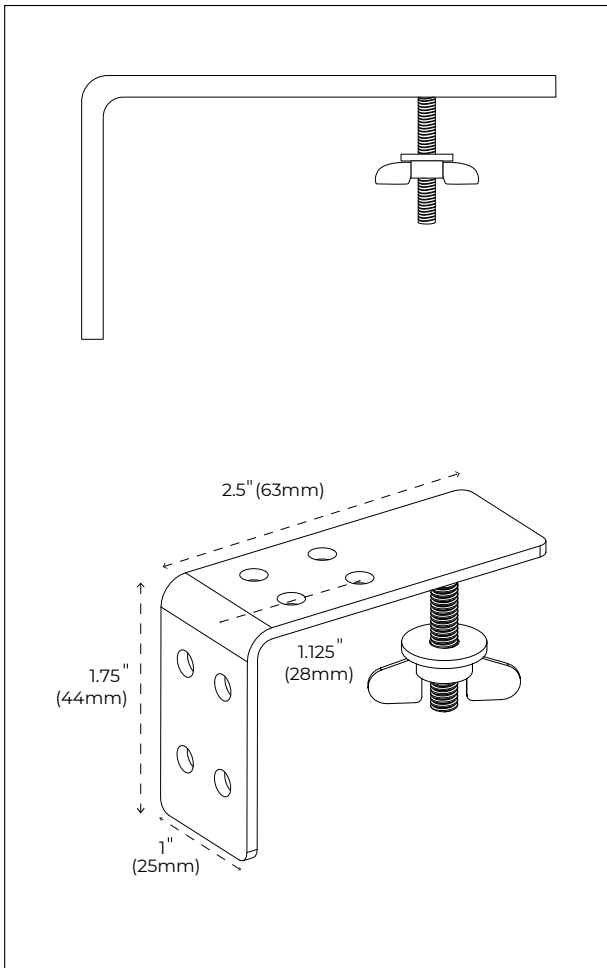
Flexible Configuration

Create scenes, groups, and set times via SmartThings or integrate with 3rd party controllers using the SI Ecosystem.

Environment

Operating temperature range is normal ambient (32 to 110 degrees), and humidity levels up to 90%.

Woven Wood Bracket



Woven Wood Shade Dimensions

