

Motorized Honeycomb Cell Shades

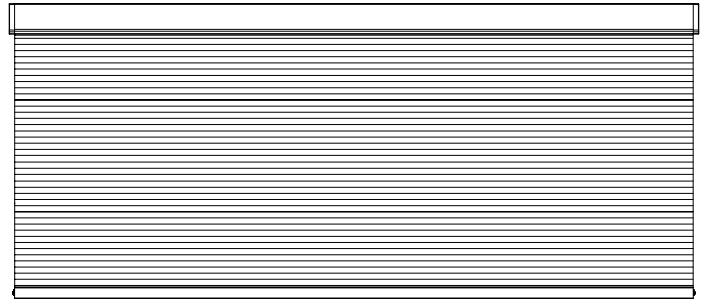
Features

- Niño Honeycomb Cellular motorized shades come equipped with a USB-C rechargeable lithium battery.
- Hardware is available in Black or White color options.
- Allows blackout or partial light filtering to control natural light and temperature, helping reduce energy use.
- Lithium battery powered shades feature soft start and stop technology for smooth and quiet operation.
- Adjustable end limits using the include remote control.
- Available in various fabric combinations, such as sheer, blackout, or light-filtering to support different lighting and privacy needs.

Colors

Available in 2 colors:

- White
- Black



Cellular Shades Specifications

For illustration purposes only; not a system specification drawing

Height / Width

Min. width: 26" Min. height: 22"
Max. width: 110" Max. height: 110"

Methods of Control

Integration and control

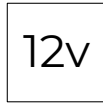
- Zigbee
- RF Remote Control
- SI Ecosystem
- Native Control4
- SmartThings - App Control
- Bond Bridge Pro

Technical Specifications

Compatible power sources

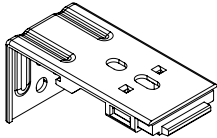


Rechargeable



12v DC

Brackets



Box brackets

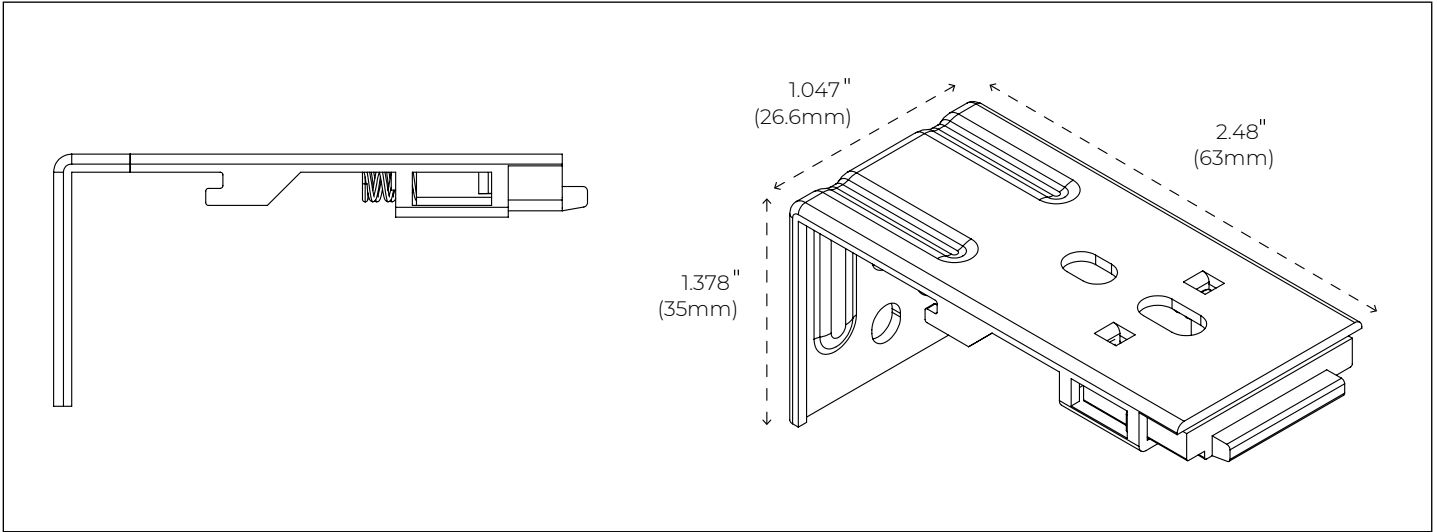
Flexible Configuration

Create scenes, groups, and set times via SmartThings or integrate with 3rd party controllers using the SI Ecosystem.

Environment

Operating temperature range is normal ambient (32 to 110 degrees), and humidity levels up to 90%.

Cellular Shade Bracket



Cellular Shade - Side View

