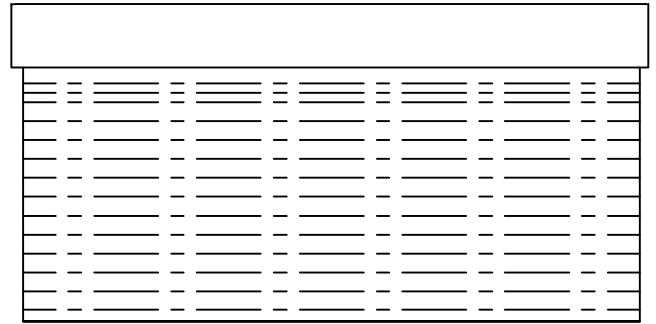


## Features

- These Niño Woven Wood motorized shades come equipped with a USB-C rechargeable lithium battery.
- Allows blackout or partial light filtering to control natural light and temperature, helping reduce energy use.
- Available in natural materials like bamboo, rattan, and solid wood, each offering unique textures and a rustic appearance. Material options support a range of light control and privacy needs.
- Adjustable end limits with the included remote control.
- Lithium battery powered shades up to 3 years between charges\*, feature soft start and stop technology for smooth and quiet operation.

**\*Battery Life dependent on Motor type and battery size**



### Woven Wood Box Specifications

*For illustration purposes only; not a system specification drawing*

## Height / Width

### Motorized:

Min. height: 16"	Min. height: 22"
Max. width: 90"	Max. height: 110"

### Cordless Manual Woven:

Min. height: 16"	Min. height: 16"
Max. width: 78"	Max. height: 82"

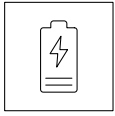
## Methods of Control

Integration and control

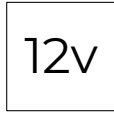
- Zigbee
- PoE
- RF Remote Control
- SI Ecosystem
- Native Control4
- SmartThings - App Control
- Bond Bridge Pro

## Technical Specifications

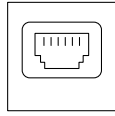
### Compatible power sources



Rechargeable



12v DC



PoE

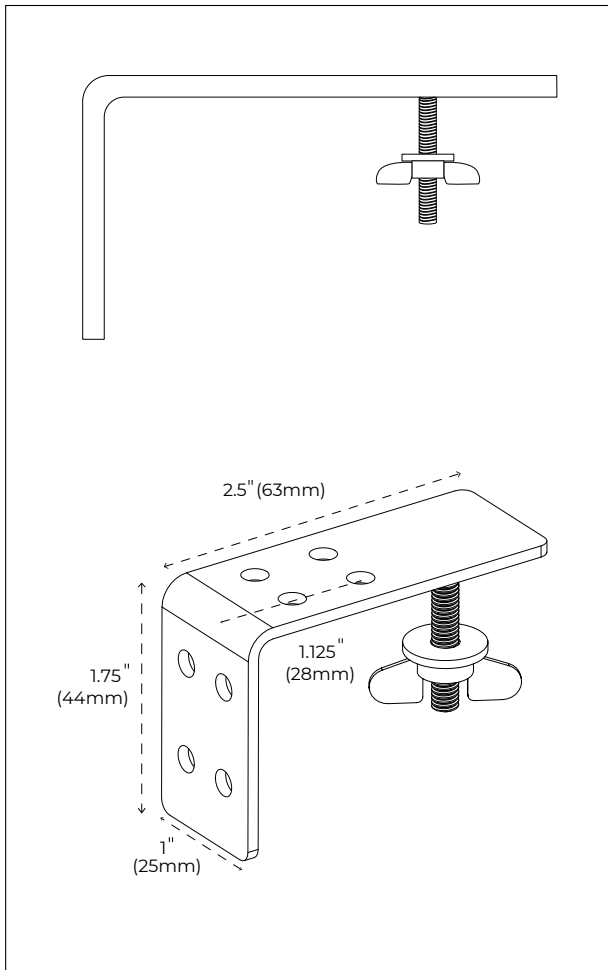
## Flexible Configuration

Create scenes, groups, and set times via SmartThings or integrate with 3rd party controllers using the SI Ecosystem.

## Environment

Operating temperature range is normal ambient (32 to 110 degrees), and humidity levels up to 90%.

## Woven Wood Bracket



## Woven Wood Shade Dimensions

